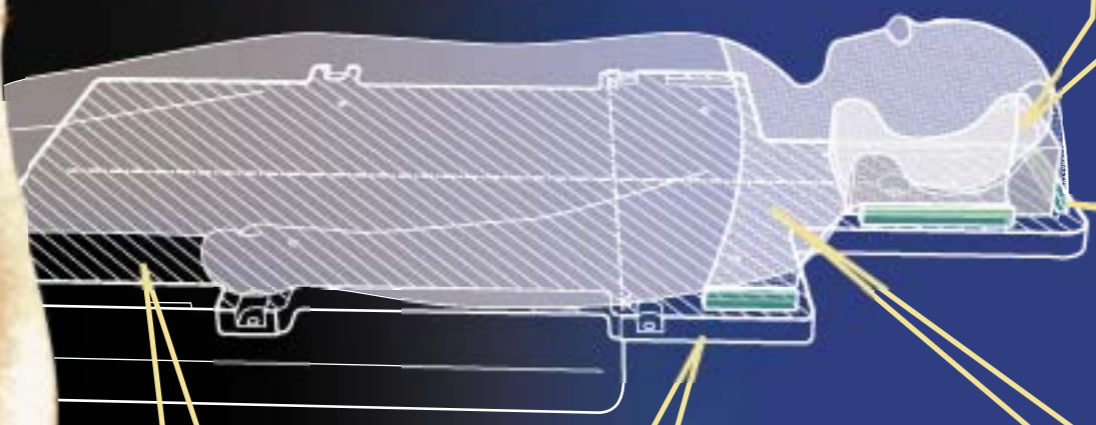


Carbon Fibre Low Density Hardware for treatment machines



Ultra light weight combined with Superior mechanical stiffness

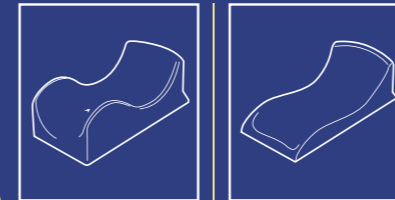
Most base plates are very heavy when compared to Orfit® base plates. The Orfit® base plate consists of a sandwich construction, with a foam core and carbon fibre facings and edges. It has a very low density resulting in the highest possible radiation transmission during treatment. Thanks to a homogeneous density spread, scatter during treatment is very low.

Outstanding mechanical properties

The high bending strength of the composite structure allows the base plate to hang over the table top down to the shoulder part, without being supported. This offers a 360 angle of freedom for the gantry and full 360 treatment capability.

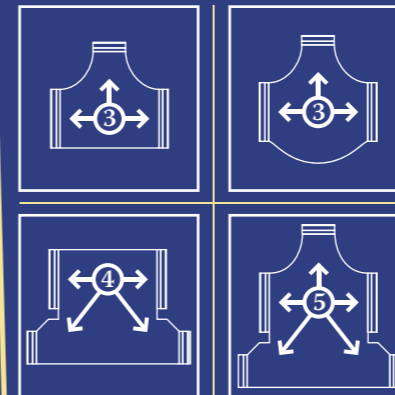
3D shaped head supports

This innovative and unique shape provides superior comfort to any patient, while precisely cradling the skull, resulting in an excellent reference point for a high precision mould.



Your choice of masks with Multiple Independent Fixation Points for Unsurpassed Patient Fixation

Choose masks with 3, 4 or 5 fixation points to meet the specific needs of the treatment. Multiple independent fixation points allows for the perfect moulding of the mask to the patient's anatomy. This results in the highest possible degree of immobilization, without the need for extra reinforcements.

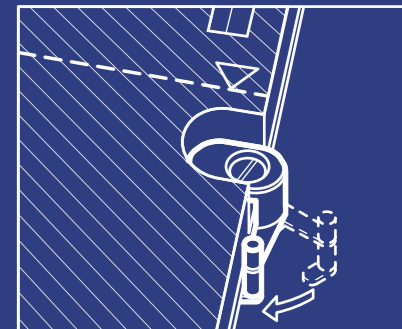
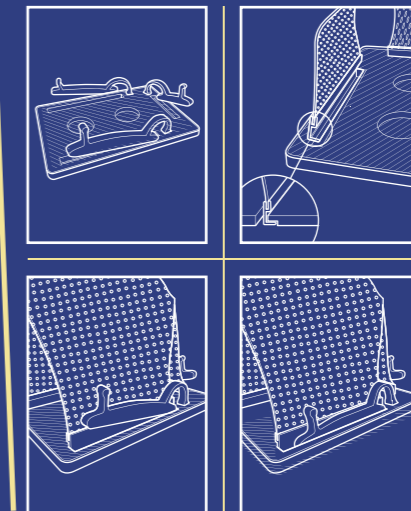


Physical, Mechanical and Dosimetric specifications

Product weight	1,85 Kg
Rotational bending under load (Total body weight 80 Kg)	0,4° max.
Radiation permeability	800 max. (CT number)
Absorption 6MV and 10MV	< 1%
Water equivalence	2,1 mm (+/- 0,1mm)

Fixing the patient has never been easier or more precise

All Efficast® thermoplastic pre-cuts include innovative integrated L-Profiles that enable you to quickly and easily secure the mask to the base plate.



The use of Loxon™ clamps or a similar device ensures that the base plate is securely mounted to the table top.

Positioning indicators on the base plate reduce patient set up time and helps to ensure a precise fixation every time.

