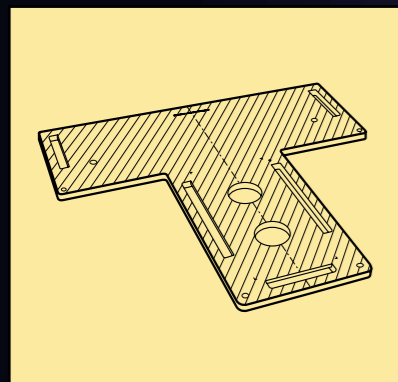
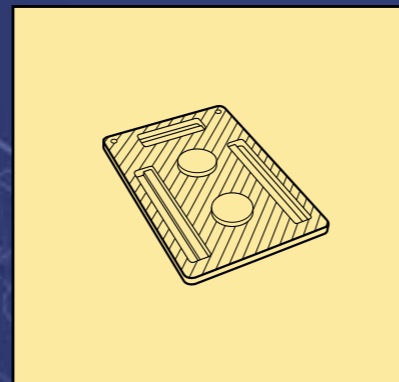


HIGH PRECISION HARDWARE SYSTEM FOR HEAD, NECK AND SHOULDERS



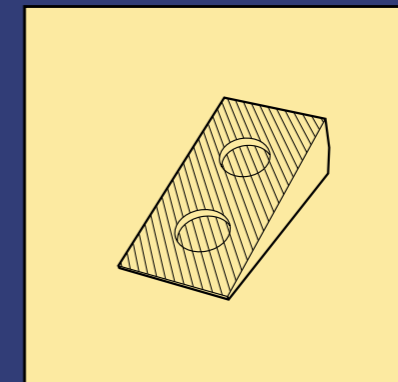
Art. No. 32110
High Precision Base plate.

Application: head, neck and shoulders fixation.
Material: Carbon Fibre sandwich construction with Rohacel™ foam.
Width: 54 cm.



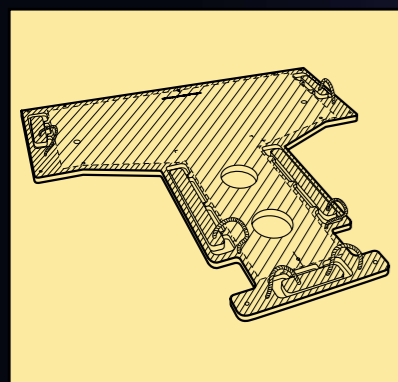
Art. No. 32140
High Precision Secondary Base Plate.

Application: head only when used with 40 mm block and 18° wedge.
Material: Carbon Fibre sandwich construction with Rohacel™ foam.
Width: 19.9 cm.



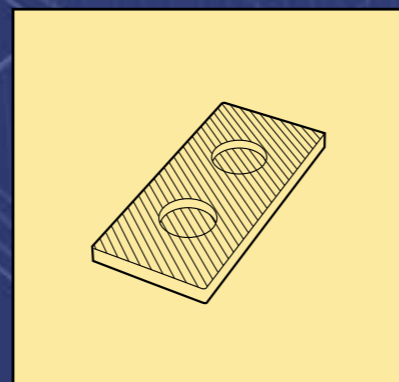
Art. No. 35707
High Precision wedge – 18° angle.

Application: flexion and extension of the head.
Material: Carbon Fibre sandwich construction with Rohacel™ foam.



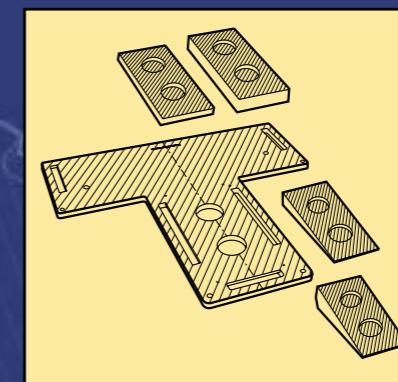
Art. No. 32100
High Precision Base plate - Reinforced.

Application: head, neck and shoulders.
Material: Carbon Fibre sandwich construction with Rohacel™ foam, reinforced with high density high pressure laminate.
Width: 54 cm.



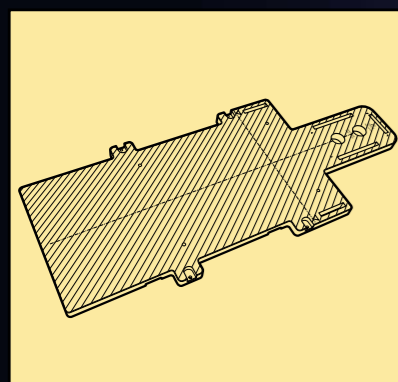
Art. No. 35703
High Precision block – 20 mm.

Application: elevation of the head.
Material: Carbon Fibre sandwich construction with Rohacel™ foam.



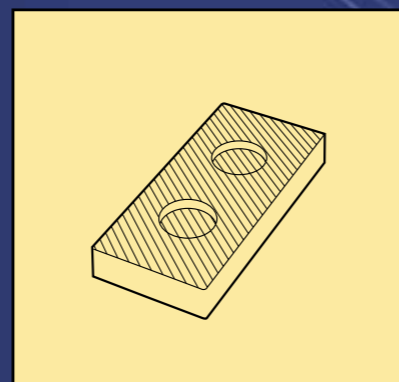
Art. No. 32110-COMBI
Set of art. No. 32110, 35703, 35704, 35706, 35707.

Material: Carbon Fibre sandwich construction with Rohacel™ foam.



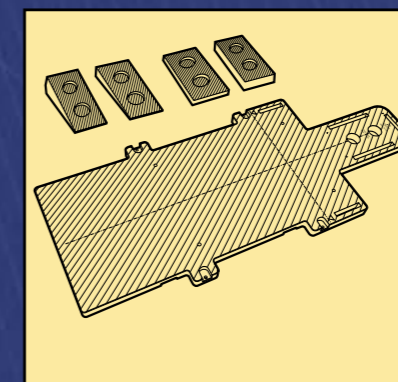
Art. No. 32150
High Precision Long Base plate for IMRT.

Application: head, neck and shoulders.
Material: Carbon Fibre sandwich construction with Rohacel™ foam.
Width: 54 cm.



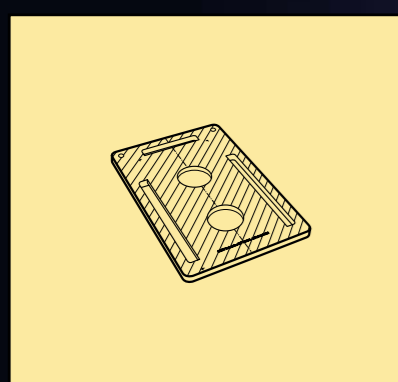
Art. No. 35706
High Precision block – 40 mm.

Application: elevation of the head.
Material: Carbon Fibre sandwich construction with Rohacel™ foam.



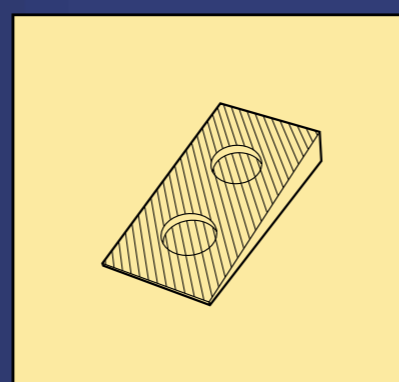
Art. No. 32150-COMBI
Set of art. No. 32150, 35703, 35704, 35706, 35707.

Material: Carbon Fibre sandwich construction with Rohacel™ foam.



Art. No. 32130
High Precision Small Base Plate for IMRT.

Application: head only.
Material: Carbon Fibre sandwich construction with Rohacel™ foam.
Width: 19.9 cm.



Art. No. 35704
High Precision wedge – 9° angle.

Application: flexion and extension of the head.
Material: Carbon Fibre sandwich construction with Rohacel™ foam.



Art.No. 32380
Prone Head Support (adjustable).
Application: prone position of the head.

Material: Low density foam- coated.
Adjustable system on high density plate.