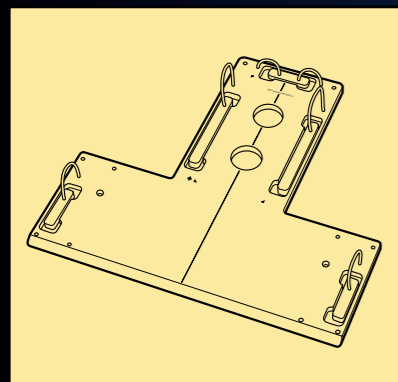
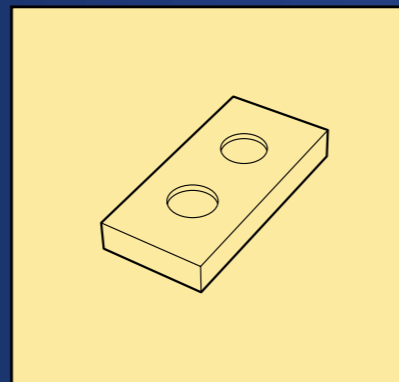


HIGH PRECISION HARDWARE SYSTEM FOR HEAD, NECK AND SHOULDERS



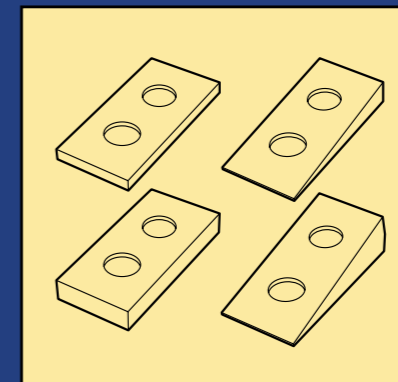
Art. No. 35751N
High Precision Base plate.

Application: head, neck and shoulders.
Material: High Pressure Laminate.
Width: 54 cm.



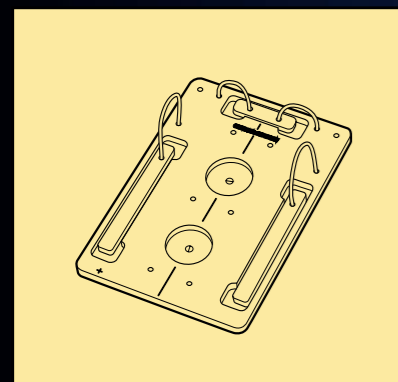
Art. No. 35754/2
High Precision block – 40 mm.

Application: elevation of the head
Material: High density rigid polyethylene



Art. No. 35754/8
Set of 2 blocks and 2 wedges
(Art. Nos. 35754/1 to 4).

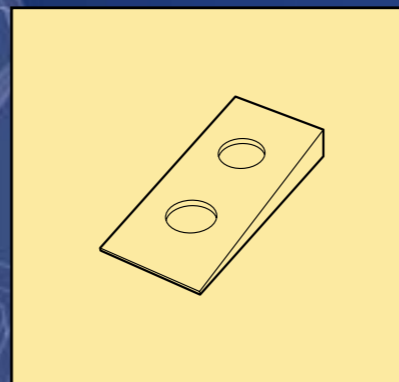
Material: High density rigid polyethylene.



Art. No. 35754/6N
High Precision Small Base Plate.

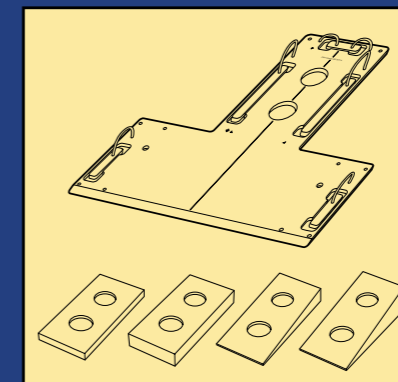
Bottom knobs removed: stand-alone base plate.
Bottom knobs attached: intermediate base plate
in case of high elevation of the patient with
blocks and wedges.

Application: Head only.
Material: High Pressure Laminate.
Width: 19.9 cm.

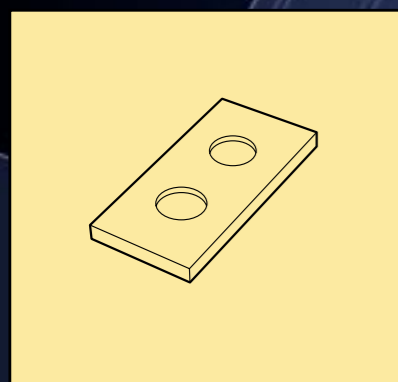


Art. No. 35754/3
High Precision wedge – 9° angle.

Application: flexion and extension of
the head.
Material: High density rigid polyethylene.

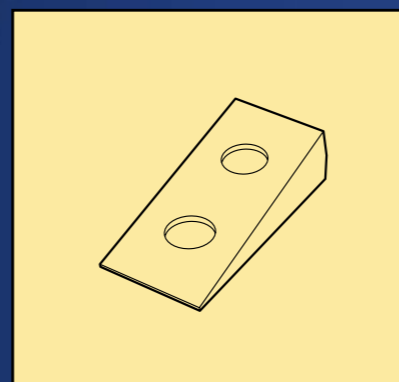


Art. No. 35751N-COMBI
Set of Art. Nos. 35751N, 35754/1,
35754/2, 35754/3, 35754/4.



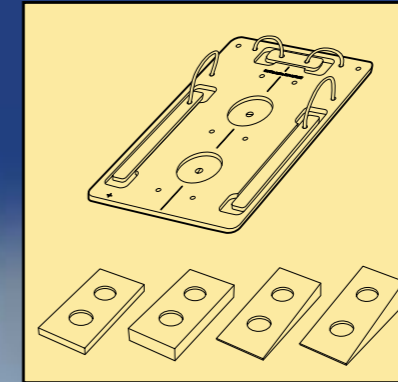
Art.No. 35754/1
High Precision block – 20 mm.

Application: elevation of the head.
Material: High density rigid polyethylene.



Art. No. 35754/4
High Precision wedge – 18° angle.

Application: flexion and extension of
the head.
Material: High density rigid polyethylene.



Art.No. 35754/6N-COMBI
Set of Art. Nos. 35754/6N, 35754/1,
35754/2, 35754/3, 35754/4.

