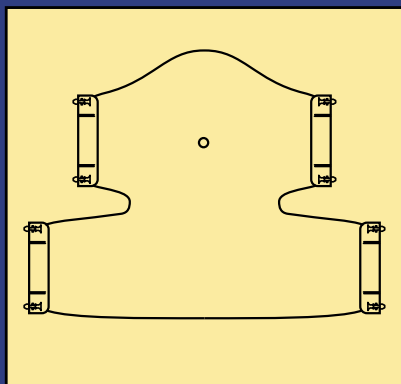


PRE-CUTS FOR HEAD, NECK AND SHOULDER FIXATION ON OTHER HARDWARE



Art. No. 35774/16MI
Pre-cut with profiles

Art. No. 35774/16MI/NP
Pre-cut without profiles

Application: Head, neck & shoulders supine

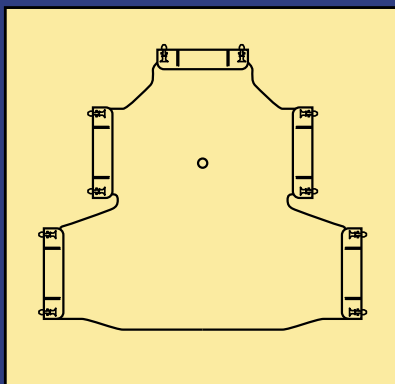
Material: Efficast®

Type: 4-point mask

Thickness: 1.6 mm

Perforation: micro

Packaging: 10 per box



Art. No. 33770/2MA
Pre-cut with profiles

Art. No. 33770/2MA/NP
Pre-cut without profiles

Application: Head, neck & shoulders supine - IMRT

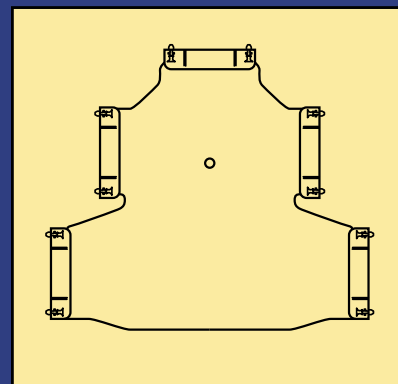
Material: Efficast®

Type: 5-point mask for regular sized patients

Thickness: 2 mm

Perforation: maxi

Packaging: 10 per box



Art. No. 33770/2MI
Pre-cut with profiles

Art. No. 33770/2MI/NP
Pre-cut without profiles

Application: Head, neck & shoulders supine - IMRT

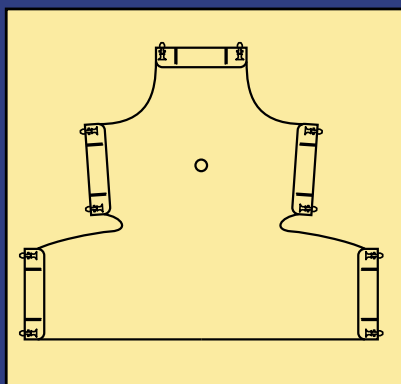
Material: Efficast®

Type: 5-point mask for regular sized patients

Thickness: 2 mm

Perforation: micro

Packaging: 10 per box



Art. No. 35791/2MA
Pre-cut with profiles

Art. No. 35791/2MA/NP
Pre-cut without profiles

Application: Head, neck & shoulders supine - IMRT

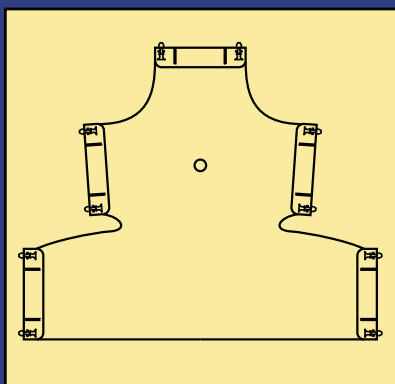
Material: Efficast®

Type: 5-point mask for large sized patients

Thickness: 2 mm

Perforation: maxi

Packaging: 10 per box



Art. No. 35791/2MI
Pre-cut with profiles

Art. No. 35791/2MI/NP
Pre-cut without profiles

Application: Head, neck & shoulders supine - IMRT

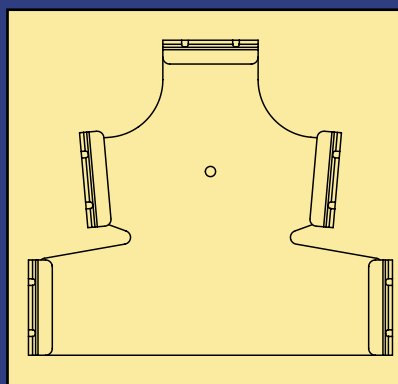
Material: Efficast®

Type: 5-point mask for large sized patients

Thickness: 2 mm

Perforation: micro

Packaging: 10 per box



Art. No. 35791/16MI
Pre-cut with profiles

Art. No. 35791/16MI/NP
Pre-cut without profiles

Application: Head, neck & shoulders supine - IMRT

Material: Efficast®

Type: 5-point mask for large sized patients

Thickness: 1.6 mm

Perforation: micro

Packaging: 10 per box